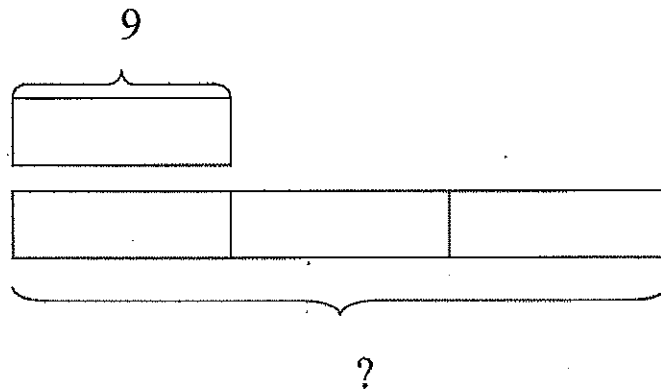


# Comparison Model for Multiplication and Division

---

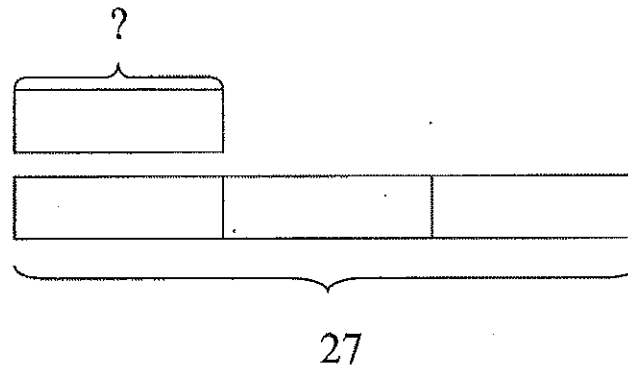
There are 9 white flowers. There are 3 times as many red flowers as white flowers. How many red flowers are there?

- Two quantities are compared. One is a multiple of the other. We know the smaller quantity. To find the bigger quantity we multiply  $9 \times 3$ .



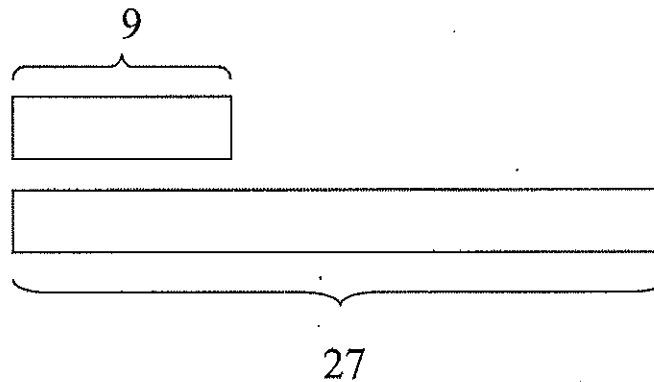
There are 27 red flowers. There are 3 times as many red flowers as white flowers. How many white flowers are there?

- Two quantities are compared. One is a multiple of the other. We know the bigger quantity. To find the smaller quantity we divide  $27 \div 3$ .



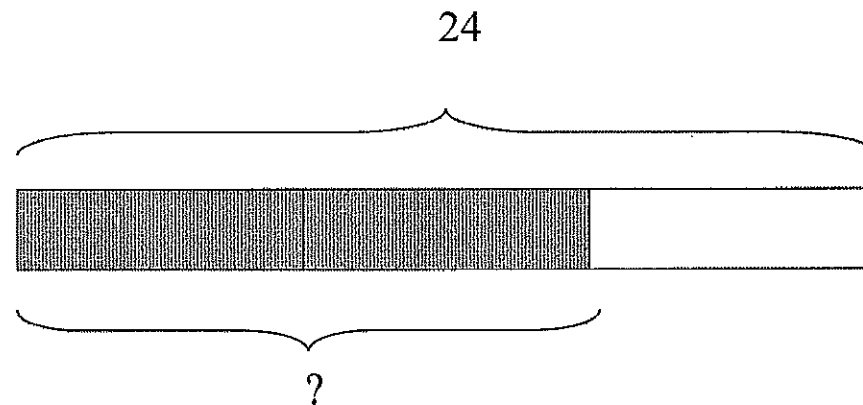
There are 27 red flowers and 9 white flowers. How many times as many red flowers as white flowers are there?

- Two quantities are compared. One is a multiple of the other. We know both quantities. To find the multiplier we divide  $27 \div 9$ .



## Fraction models

Kelley buys 24 flowers.  $\frac{2}{3}$  of them are white.  
How many white flowers are there?



### Try one!

- *David spent  $\frac{2}{5}$  of his money on a storybook. The storybook cost \$20. How much money did he have at first?*